
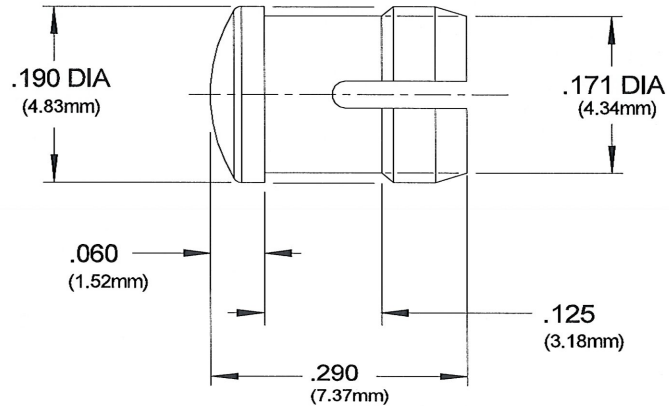
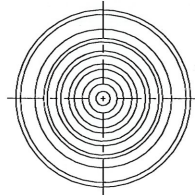


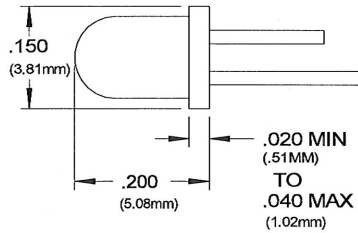


ACTUAL SIZE

APPROVAL  DATE 01/06/09



RECOMMENDED LED
SIZE T-1 (3MM)



ORDERING CODES

MODEL SMB 200 RTP
COLOR _____

RTP Red Transparent BTP Blue Transparent
ATP Amber Transparent YTP Yellow Transparent
GTP Green Transparent CTP Clear Transparent
GLO White Translucent

NOTES:

MATERIAL: Polycarbonate
GLO Series - Polycarbonate/Acrylic blend

DESIGN: Low profile lens using Fresnel rings.

MOUNTING: Mounts through the front of panel.
Mounting holes should be deburred but not chamfered.
Hole size .171"±.002 (4.34mm) on 1/4" centers.
Panel thickness 1/32" to 1/8"

For additional security use retaining rings:
RNG 165 for use with .125" dia. LEDs
RNG 190 for use with .155" dia. LEDs

U.S. & Foreign Pat. Issued & Pend.

TOLERANCES (EXCEPT AS NOTED)	REVISIONS			
	NO.	DESCRIPTION	DATE	BY
DECIMAL ±.010	1	Add GLO Series	12/30/08	JG
ANGLE ± 30'	2			
DIAMETER .003 TIR	3			
RADII .008 Max	4			
	5			

VCC P/N: CLIPLITE[®] SMB 200

 VISUAL COMMUNICATIONS COMPANY, INC.
190 Bosstick Blvd, Ste. 101 San Marcos, California 92069 U.S.A.
Phone (760) 560-1300 Fax (760) 560-1301 e-mail vccsales@vcclite.com

DRAWN BY JMS	DATE 10/25/85	DRAWING NO.	REV.
CHK'D	SCALE 5X	SMB200A	1